

Breathing Protection



Breathing Protection without Activated Charcoal Belt Unit



SATA air vision 5000 set
Art. No. 213819

SATA air regulator set
Art. No. 1000108

Compressed air-supplied respirator hood to combine with triple-stage compressed air filters, e.g. SATA filter 484 **with** integrated activated charcoal filter stage.

SATA air vision 5000 respirator hood
Art. No. 1000249



SATA air regulator belt plus
Art. No. 1030668



SATA air regulator
Art. No. 1000190



Compressed air connection (hood)



Gun air hose connection

Connection for safety compressed air hose (from the wall-mounted filter regulation unit)

Accessories:
SATA air humidifier
Art. No. 1000299



Accessories:
SATA air warmer
Art. No. 1007005



Accessories:
SATA air cooler
Art. No. 1006982



Recommended accessories

<p>SATA air humidifier Breathing air humidification for a comfortable breathing climate Art. No. 1000299</p>	
<p>SATA air warmer Art. No. 1007005</p>	
<p>SATA air cooler Art. No. 1006982</p>	
<p>Safety compressed air hose crush and kink resistant, 6 m Art. No. 49080</p>	
<p>Gun air hose 9 mm inner diameter, 1.2 m to connect a spray gun to the belt unit Art. No. 13870</p>	



Breathing Protection with Activated Charcoal Belt Unit



SATA air vision 5000 carbon set
Art. No. 1000124

SATA air carbon regulator set
Art. No. 1000059

Compressed air-supplied respirator hood to combine with double-stage compressed air filters fixed to the wall, e.g. SATA filter 444 **without** integrated activated charcoal filter stage.

SATA air vision 5000 respirator hood
Art. No. 1000249



SATA air regulator belt plus
Art. No. 1030668



SATA air carbon regulator
Art. No. 1000166



Compressed air connection (hood)

Gun air hose connection

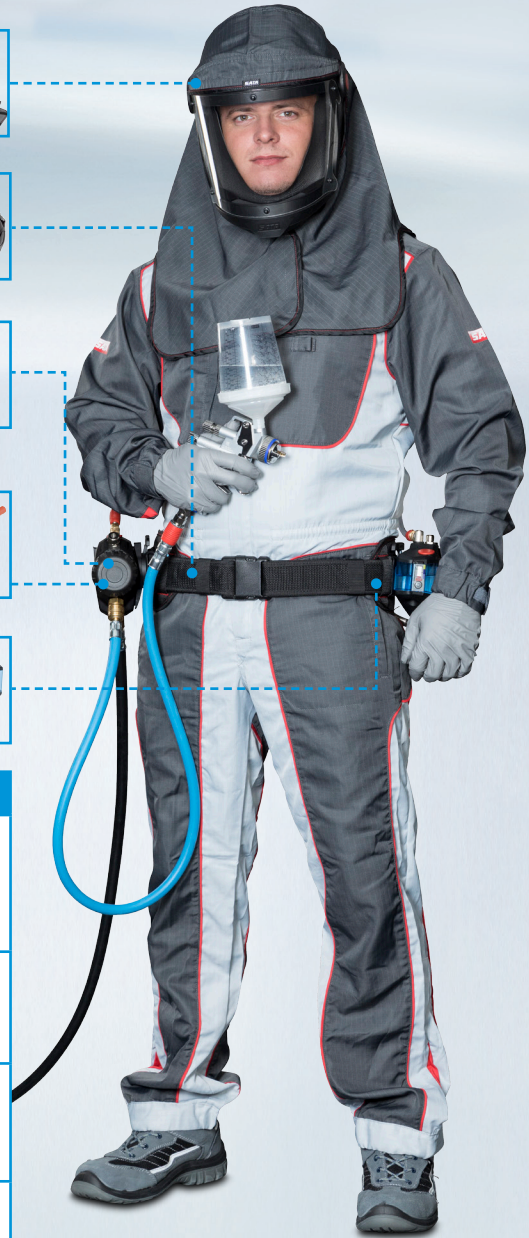
Connection for safety compressed air hose (from the wall-mounted filter regulation unit)



Accessories:
SATA air warmer carbon
Art. No. 1000132



Accessories:
SATA air humidifier
Art. No. 1000299



Accessories:
SATA air cooler
Art. No. 1006982












Recommended accessories




<p>SATA air humidifier Breathing air humidification for a comfortable breathing climate Art. No. 1000299</p>	
<p>SATA air warmer carbon for SATA air carbon regulator Multi-stage adjustable breathing air warmer Art. No. 1000132</p>	
<p>Safety compressed air hose crush and kink resistant, 6 m Art. No. 49080</p>	
<p>Gun air hose 9 mm inner diameter, 1.2 m to connect a spray gun to the belt unit Art. No. 13870</p>	
<p>Activated charcoal filter for SATA air carbon regulator Art. No. 218206</p>	
<p>SATA air cooler Art. No. 1006982</p>	




SATA® air vision™ 5000

SATA air vision 5000	
Technical Data	Required operating pressure without spray gun: 2.5 bar - 3,0 bar
	Required operating pressure with spray gun (connected with 1.2 m gun hose): 4.0 bar - 6,0 bar
	Maximum operating pressure: 10.0 bar
	Required minimum air volume flow: 150 NI/min
	Maximum air volume flow (at 6 bar, air distributor fully opened): 740 NI/min

Available versions			
213819	SATA air vision 5000 set (Int.) Version without activated charcoal adsorber		
1000249	SATA air vision 5000 respirator hood (Int.)		
1000124	SATA air vision 5000 carbon set (Int.) Version with activated charcoal adsorber		
1000190	SATA air regulator (Int.) for SATA air vision 5000		
1000108	SATA air regulator set (Int.)		
1030668	SATA air regulator belt plus		
1000215	SATA air regulator belt (Int.) for SATA air vision 5000		
1000059	SATA air carbon regulator set (Int.)		
1000132	SATA air warmer carbon (Int.) for SATA air carbon regulator		
1000166	SATA air carbon regulator (Int.) for SATA air vision 5000		

All prices are recommended list prices. Errors, technical modifications and printing errors reserved.

Available versions			
1000299	SATA air humidifier (Int.) for SATA air vision 5000		
1007005	SATA air warmer, incl. adapter plate and hip pad for SATA air vision 5000		
1006982	SATA air cooler incl. adapter plate and hip pad for SATA air vision 5000		

Accessories			
13870	SATA air hose, blue, 9mm, 1.2 m with quick coupling, red and nipple		
49080	Safety compressed air supply hose CE 10 mm, f. SATA respirators CE version, 6 m long, cpl. according to DIN EN 139/270		
176792	Safety compressed air supply hose CE 10m ø 10 mm DIN EN 139/270 for SATA respirators		
180851	Safety compressed air supply hose CE 40m, 10mm, DIN EN 139/270 for SATA respirators		
218206	SATA Activated charcoal filter, cpl. for SATA air carbon regulator		

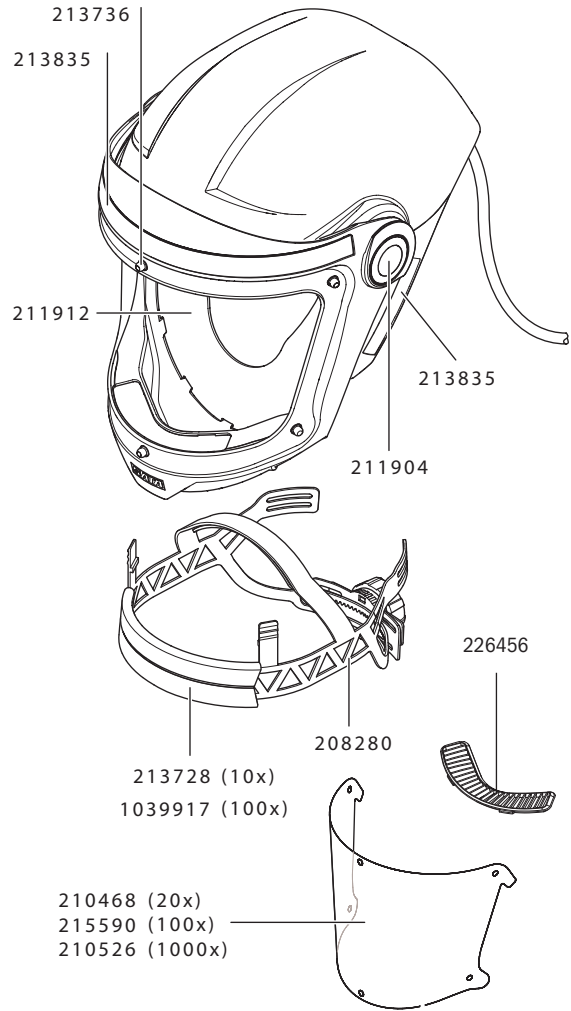
All prices are recommended list prices. Errors, technical modifications and printing errors reserved.

Spare Parts SATA® air vision™ 5000

Art. No./Descr.
13623
SATA quick coupling 1/4" (male thread)
53942
Nipple G 1/4 f. GS respirator, UBE + blow-off gun, size 14
81158
Humidifier module cpl.
206151
SATA filter timer for sinter filter
208280
Head fixation cpl.
208439
Belt with buckle
208447
Hip pad (packing unit 1 piece)
208462
Adapter plate
210468
Visor foil, 6 perforations (packing unit 20 pieces)
210526
Visor foil, 6 perforations (packing unit 1000 pieces)
211904
CCS disc (packing unit 4 pieces)
211912
Hygiene insert (packing unit 20 pieces)
213728
Comfort band (packing unit 10 pieces)
213736
Visor bolt (packing unit 6 pieces)
213835
Hook-and-loop tape long (packing unit 1 piece) and short (packing unit 2 pieces), adhesive on one side
213751
Hood holder for SATA air regulator
215590
Visor foil, 6 perforations (packing unit 100 pieces)
216473
Safety quick coupling for SATA air regulator and SATA air carbon regulator
218206
SATA Activated charcoal filter, cpl.
226456
Plug-in diffuser
226621
Humidifier kit consisting of humidifier module, lid seal and SATA filter timer
226746
Hood cloth, dark grey
1000215
SATA air regulator belt (Int.)
1014232
Hip pad (packing unit 1 piece)
1014240
Air hose cpl. for SATA air warmer / air cooler
1018143
Filter fastener
1036947
Adapter plate
1039917
Comfort head band (packing unit 100 pieces)
1066415
Control knob, cpl.
1073197
Pad for head band (adjustment wheel)
1076521
Cylinder screw
1076589
Air hose cpl. for SATA air humidifier
1076612
Container
1076620
Lid

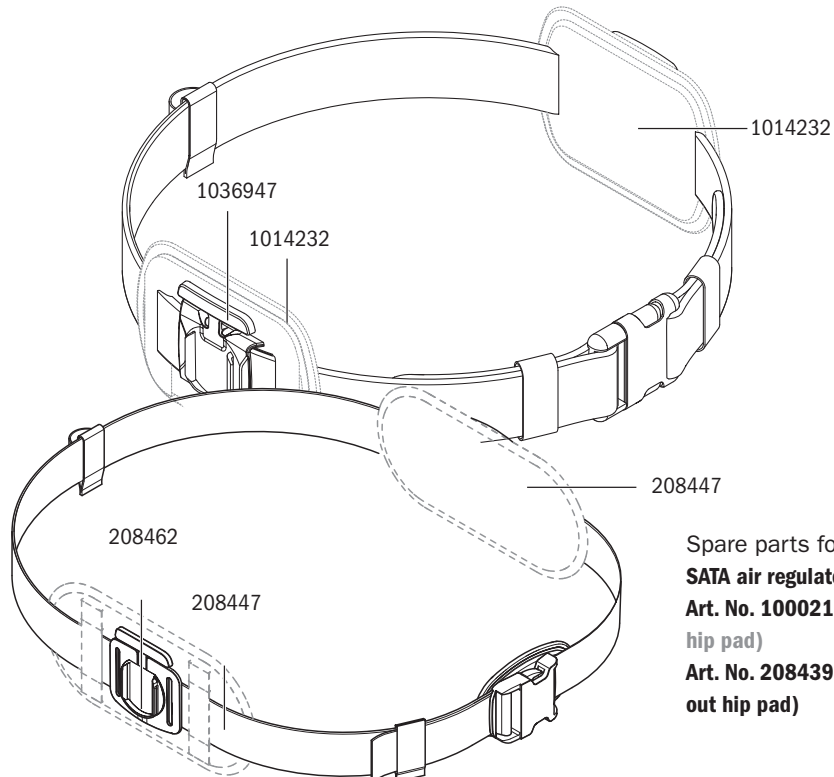
Art. No./Descr.
1076638
Safety band for bayonet lock
1076662
Pressure relief valve, cpl.
1076688
Threaded elbow joint, swiveling
1076703
Safety and quick coupling with free passage

Spare parts for:
SATA air vision 5000 Art. Nr. 226464



Spare parts for:
SATA air regulator belt plus
Art. No. 1030668 (with hip pad)
Art. No. 1038274 (without hip pad)

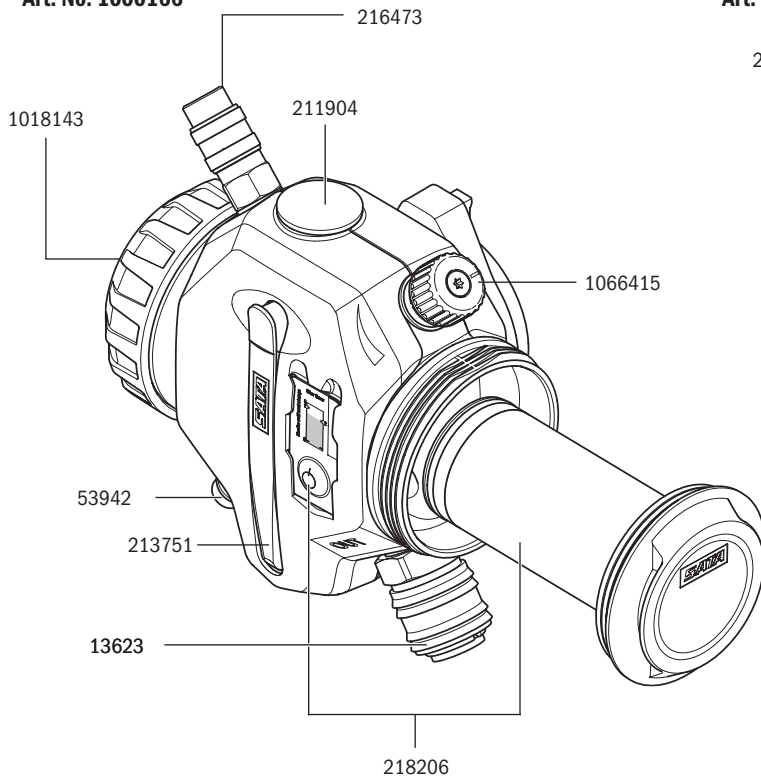
210468 (20x)
215590 (100x)
210526 (1000x)



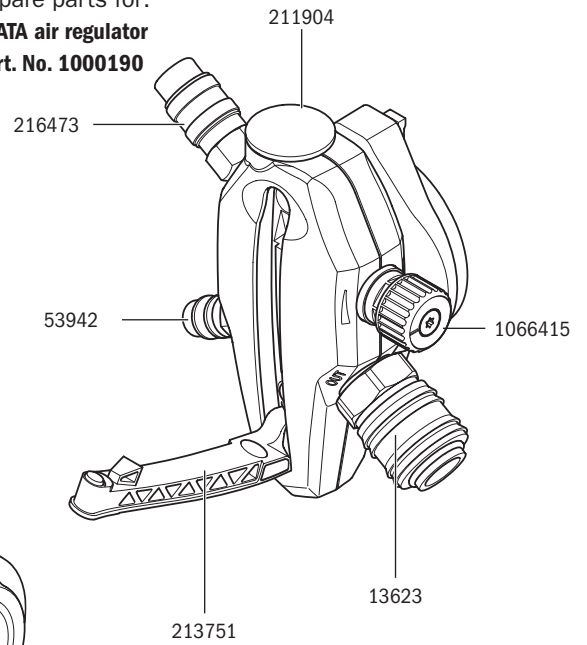
Spare parts for:
SATA air regulator belt
Art. No. 1000215 (with hip pad)
Art. No. 208439 (without hip pad)

All prices are recommended list prices. Errors, technical modifications and printing errors reserved.

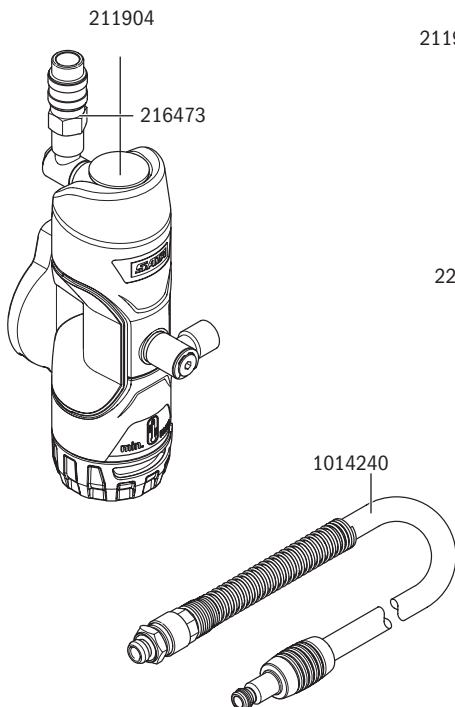
Spare parts for:
SATA air carbon regulator
Art. No. 1000166



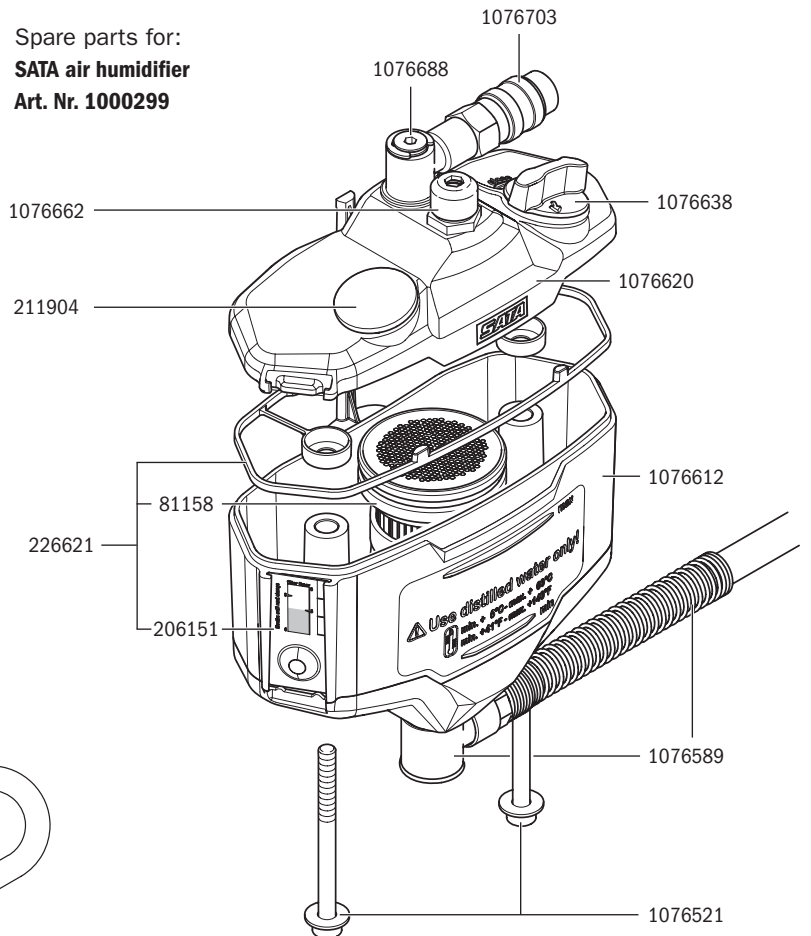
Spare parts for:
SATA air regulator
Art. No. 1000190



Spare parts for:
SATA air warmer
Art. No. 1007005
SATA air cooler
Art. No. 1006982



Spare parts for:
SATA air humidifier
Art. Nr. 1000299





All prices are recommended list prices. Errors, technical modifications and printing errors reserved.

SATA® vision™ 2000


SATA vision 2000

Technical Data	Required operating pressure: 4.0 bar
	Required minimum air volume flow: 170 l/min





SATA vision 2000 with activated charcoal belt unit

69500	SATA respirator kit vision 2000, with activated charcoal adsorber		
52712	Hood for full face respirator vision 2000, with head/chest cloth over hood, without belt unit		
54015	Belt unit with activated charcoal adsorber and air regulation valve for SATA vision 2000 and respirator hood CE industry with UV protection		
173880	SATA respirator kit in systainer: SATA vision 2000 and belt unit with activated charcoal adsorber and air regulation valve, SATA air warmer, SATA air hose 1.2 m		

SATA vision 2000 without activated charcoal belt unit

154591	SATA hood Vision 2000 with industrial belt unit, T-piece and hose coupling		
52712	Hood for full face respirator vision 2000, with head/chest cloth over hood, without belt unit		
122341	Belt unit with T-piece and air regulation valve for SATA vision 2000, respirator hood CE industry with UV protection, air star C		
58941	Belt unit with air regulation valve for SATA vision 2000, respirator hood CE industry with UV protection, air star C		

Accessories

61242	Air warmer w. micrometer for SATA respirators		
89086	SATA top air breathing air humidifier		
13870	SATA air hose, blue, 9mm, 1.2 m with quick coupling, red and nipple		
49080	Safety compressed air supply hose CE 10 mm, f. SATA respirators CE version, 6 m long, cpl. according to DIN EN 139/270		
176792	Safety compressed air supply hose CE 10m ø 10 mm DIN EN 139/270 for SATA respirators		
180851	Safety compressed air supply hose CE 40m, 10mm, DIN EN 139/270 for SATA respirators		

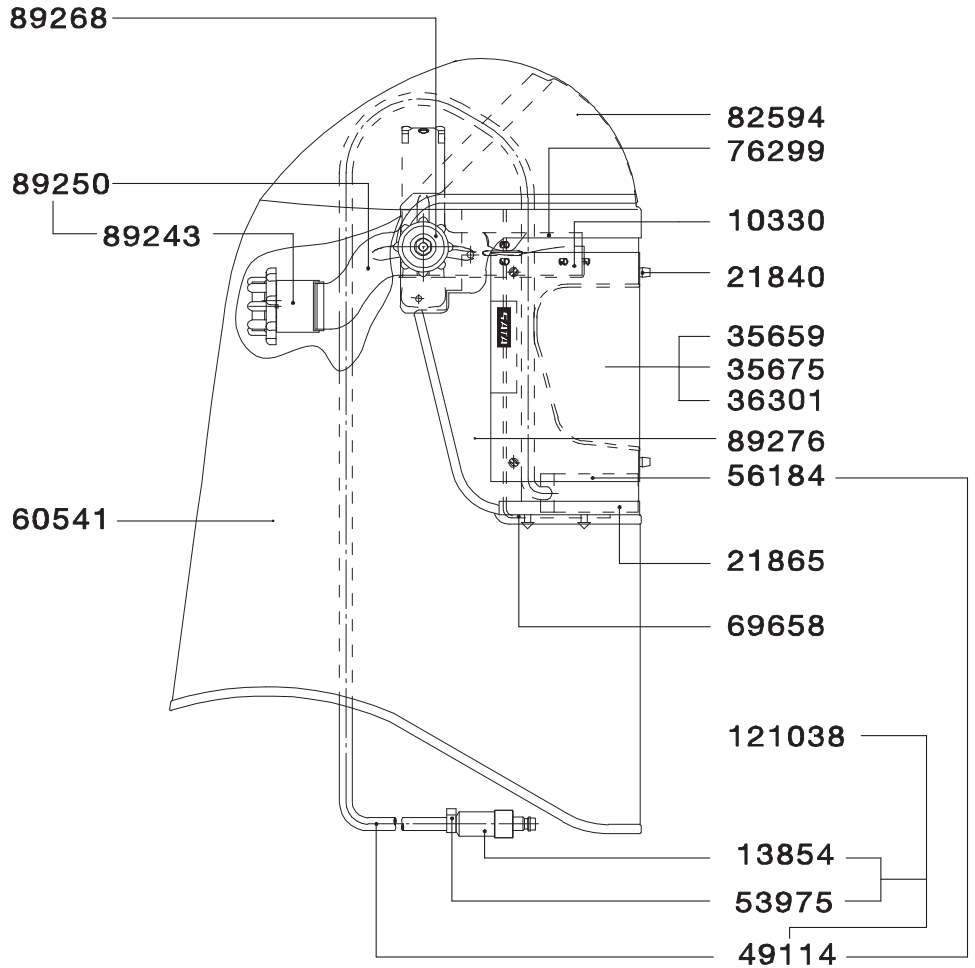
SATA hood with UV protection < 380 nm wave length

67595	SATA respirator hood CE, head cloth w. chest cover		
-------	--	--	--

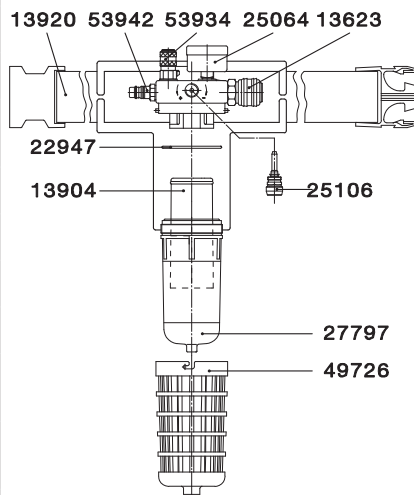
All prices are recommended list prices. Errors, technical modifications and printing errors reserved.

Spare Parts SATA® vision™ 2000

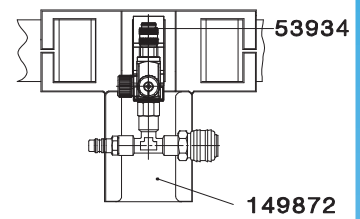
Art. No./Descr.	
6981	SATA quick coupling nipple G 1/4" (female thread) (packing unit 5 pieces)
10330	Sweat ribbon, microfibre-velour (packing unit 10 pieces)
13623	SATA quick coupling 1/4" (male thread)
13854	Silencer
13904	Activated charcoal cartridge
13920	Belt with buckle
21840	Set of plug-in nipples, complete, for Vision 2000
21865	Bottom part (packing unit 2 pieces)
22947	O-ring
25064	Pressure gauge 0 - 6 bar, 40 mm, green area 1.3 - 2.6 bar
25106	Spindle, complete, for adsorber (CE) of half mask + full face respirator
27797	Adsorber glass
35659	Visor foil, 6 perforations (packing unit 5 pieces)
35675	Visor foil, 6 perforations (packing unit 25 pieces)
36301	Visor foil, 6 perforations (packing unit 1000 pieces)
49114	Breathing air hose with acoustic warning device and foam sleeve, without noise reducer/coupling
49726	Protective cage f. respirator filter unit
53934	Safety quick coupling for SATA full face respirator
53942	Nipple G 1/4 f. GS respirator, UBE + blow-off gun, size 14
53975	Hose clamp 10.5 GER
56184	Foam sleeve for CE respirator
60541	Head / chest scarf, grey, over hood
69658	Hood inlay, black (20 pieces)
76299	Foam stripes, one side self-adhesive 8 x 25 x 345 mm, for respirators
82594	Hood with velcro tape, loose, for Vision 2000 respirator
89243	Adjustable part for head strap of Vision 2000 respirator
89250	Head strap, cpl., for Vision 2000 respirator
89268	Screwing (2 pieces)
89276	Carrier frame with side parts, plug-in nipples and bottom part, for Vision 2000 respirator
121038	Breathing air hose, cpl. with acoustic warning device, foam sleeve and noise reducer/coupling
149872	Belt cushion



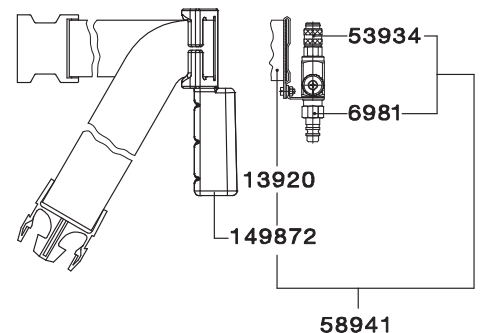
Belt unit Art. No. 54015



Belt unit Art. No. 122341



Belt unit Art. No. 58941






All prices are recommended list prices. Errors, technical modifications and printing errors reserved.

SATA® air star C




SATA air star

Technical Data	Required minimum operating pressure: 4.0 bar
	Required minimum air volume flow: 150 NI/min
	Maximum air volume flow: 305 NI/min





SATA air star with Activated Charcoal Belt Unit

137554	SATA respirator kit: SATA air star C and belt unit with activated charcoal filter and air regulation valve, disposable hood	
137588	SATA air star C half mask with breathing hose, without filter	
55798	Belt unit with activated charcoal adsorber and air regulation valve for SATA air star C	

SATA air star without Activated Charcoal Belt Unit

137570	SATA air star C half mask and belt unit with T-piece, special version	
137588	SATA air star C half mask with breathing hose, without filter	
122341	Belt unit with T-piece and air regulation valve for SATA vision 2000, respirator hood CE industry with UV protection, air star C	
58941	Belt unit with air regulation valve for SATA vision 2000, respirator hood CE industry with UV protection, air star C	

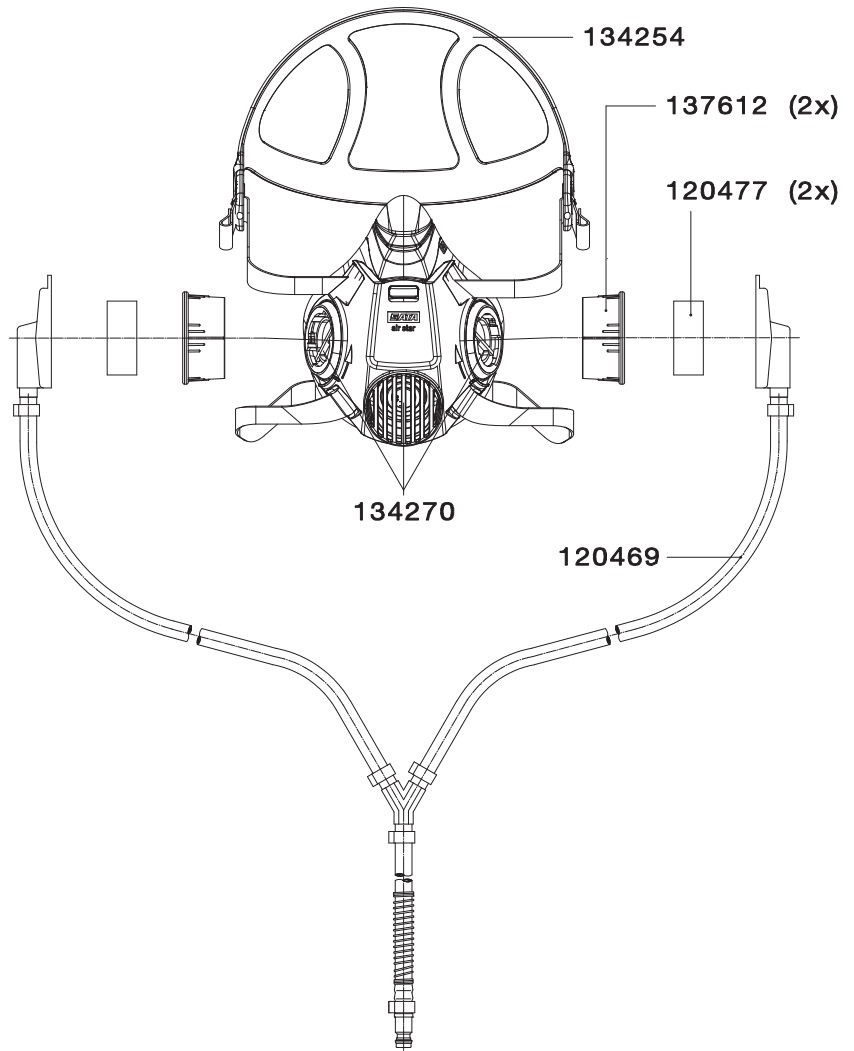
Accessories

61242	Air warmer w. micrometer for SATA respirators	
89086	SATA top air breathing air humidifier	
13870	SATA air hose, blue, 9mm, 1.2 m with quick coupling, red and nipple	
49080	Safety compressed air supply hose CE 10 mm, f. SATA respirators CE version, 6 m long, cpl. according to DIN EN 139/270	
176792	Safety compressed air supply hose CE 10m ø 10 mm DIN EN 139/270 for SATA respirators	
180851	Safety compressed air supply hose CE 40m, 10mm, DIN EN 139/270 for SATA respirators	

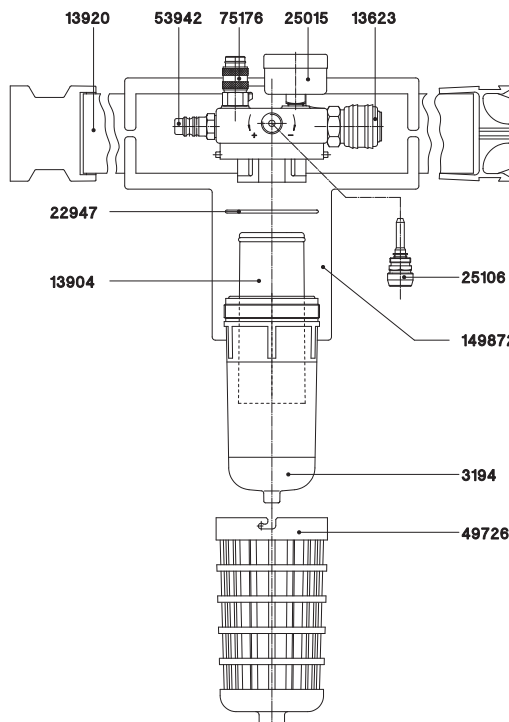
All prices are recommended list prices. Errors, technical modifications and printing errors reserved.

Spare Parts SATA® air star C

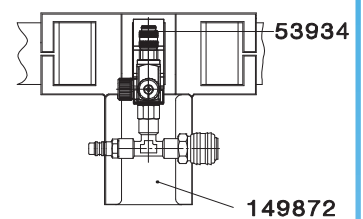
Art. No./Descr.
3194 Adsorber glass
6981 SATA quick coupling nipple G 1/4" (female thread) (packing unit 5 pieces)
13623 SATA quick coupling 1/4" (male thread)
13904 Activated charcoal cartridge
13920 Belt with buckle
22947 O-ring
25015 Pressure gauge 0 - 6 bar, 40 mm, green area 1 - 3 bar
25106 Spindle, complete, for adsorber (CE) of half mask + full face respirator
49726 Protective cage f. respirator filter unit
53942 Nipple G 1/4 f. GS respirator, UBE + blow-off gun, size 14
53934 Safety quick coupling for SATA full face respirator
75176 Safety quick closure coupling NW 5, type 21, for adsorber of half mask respirator, version GS
120469 Breathing air hose, cpl.
120477 Air distributor (packing unit 2 pieces)
134254 Head strap with fixing unit and yoke for SATA air star C
134270 Inhalation and exhalation diaphragms (packing unit 5 pieces or 10 pieces, resp.)
137612 Connection (packing unit 2 pieces)
149872 Belt cushion



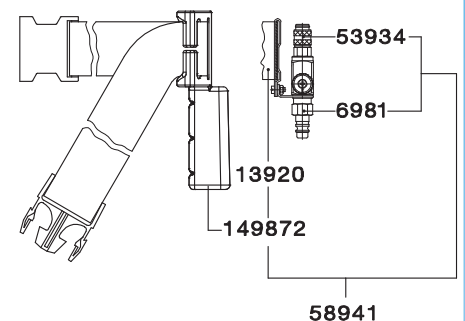
Belt unit Art. No. 55798



Belt unit Art. No. 122341






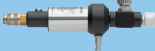






Belt unit Art. No. 58941



All prices are recommended list prices. Errors, technical modifications and printing errors reserved.

Accessories for SATA vision 2000/SATA air star C

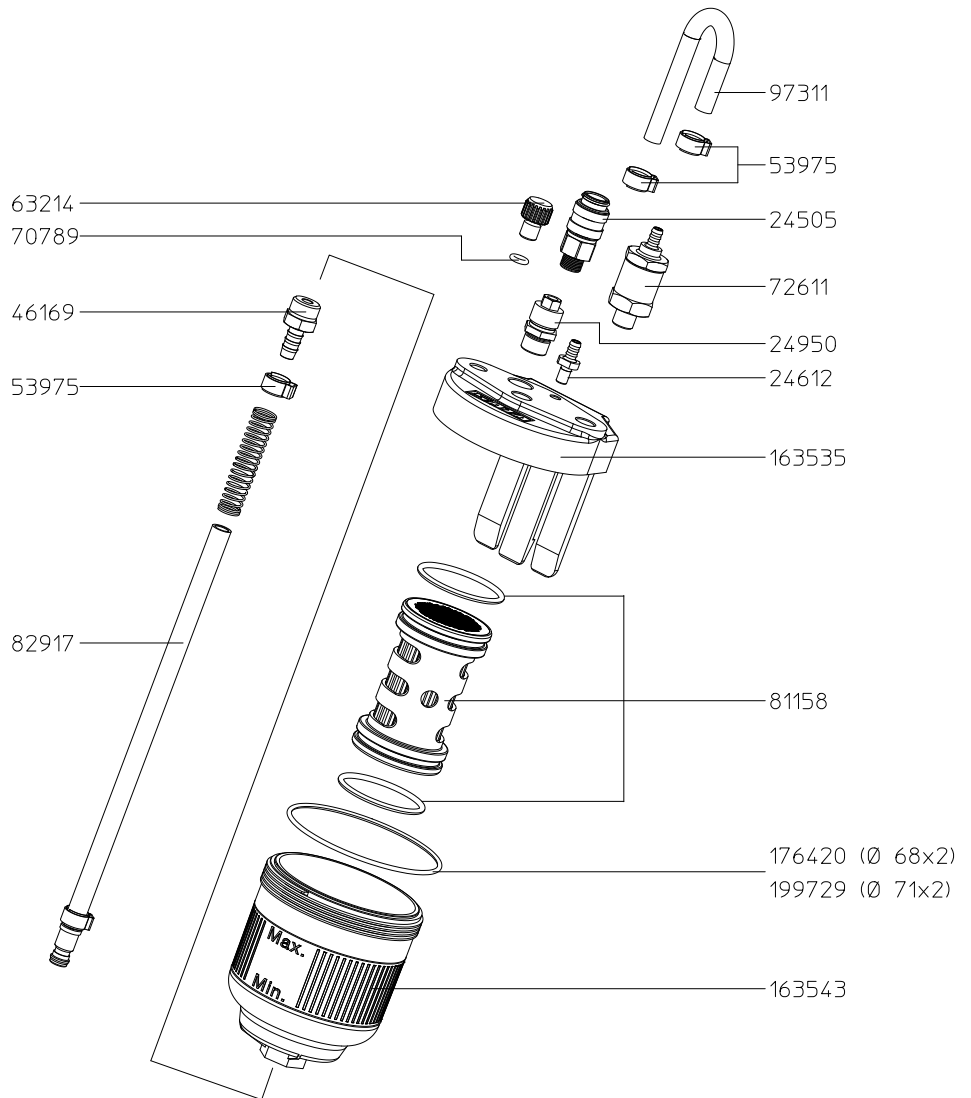
Accessories and air hoses			
13904	Activated charcoal cartridge for SATA activated charcoal adsorber		
15412	Suspender belt for SATA belt units SATA air star C und SATA air vision 5000vision 2000		
13870	SATA air hose, blue, 9mm, 1.2 m with quick coupling, red and nipple		
49080	Safety compressed air supply hose CE 10 mm, f. SATA respirators CE version, 6 m long, cpl. according to DIN EN 139/270		
176792	Safety compressed air supply hose CE 10m ø 10 mm DIN EN 139/270 for SATA respirators		
180851	Safety compressed air supply hose CE 40m, 10mm, DIN EN 139/270 for SATA respirators		
Breathing air humidifier and breathing air warmer			
89086	SATA top air breathing air humidifier		
61242	Air warmer w. micrometer for SATA respirators		
Cleaning cloths			
134965	SATA half mask cleaner (packing unit 10 pieces) Please observe: The supplied product has a limited use-by date!		
135020	SATA half mask cleaner (packing unit 50 pieces) Please observe: The supplied product has a limited use-by date!		
75358	SATA wet & dry cleaner (packing unit 10 pieces) Please observe: The supplied product has a limited use-by date!		
83881	SATA wet & dry cleaner (packing unit 50 pieces) Please observe: The supplied product has a limited use-by date!		
Head covers for SATA vision 2000			
60541	Head / chest scarf, grey, over hood for SATA vision 2000		
56762	Grey head cloth w. chest cover for respirators		

All prices are recommended list prices. Errors, technical modifications and printing errors reserved.

Spare Parts SATA® top air™/SATA® air warmer™

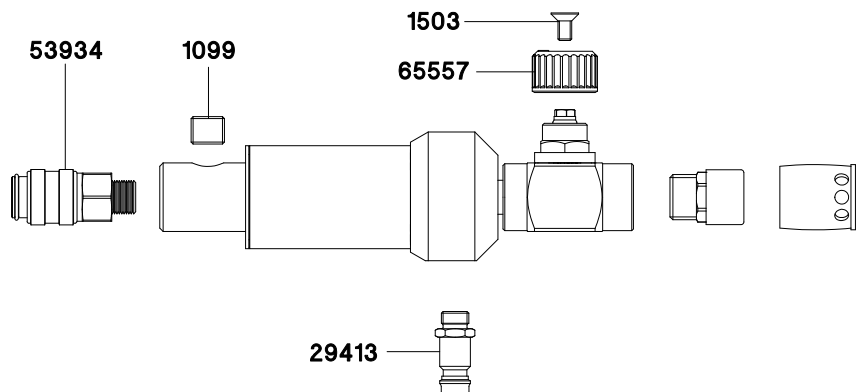
SATA top air

Art. No./Descr.
24505
Safety quick closure coupling, free passage, for SATA top-air
24612
Nipple
24919
O-ring
24950
Safety valve, complete, for SATA top-air
46169
Plug-in nipple for SATA top-air
53975
Hose clamp 10.5 GER
63214
Closing screw for SATA top-air
70789
O-ring 5 x 2 mm, ethylene-propylene, for control piston SATA LP90
72611
Valve, complete, for SATA top-air
81158
Humidifier module cpl.
82917
Breathing air hose, cpl.
97311
PVC hose 4 x 2 mm x 110 mm
163535
Holder
163543
Container with acme thread
176420
O-ring 68 x 2.0 NBR for SATA top air (until July 2013)
199729
O-Ring for SATA top air (as of July 2013)



SATA air warmer

Art. No./Descr.
1099
Closing screw DIN 906 G 1/8-ST., nickel-plated
1503
Countersunk screw M4 x 8 DIN 965, stainless steel, for micrometer und round/flat spray control
29413
Nipple
53934
Safety quick coupling for SATA full face respirator
65557
Control knob







All prices are recommended list prices. Errors, technical modifications and printing errors reserved.




SATA® air star® F



Filtering mask for short usage periods during small paint jobs.

SATA air star F		
134353	SATA air star F, filter A2:P3 R D, 2 pre-filter holders and 10 pre-filters	
134288	SATA air star F (Int.) , filter A2:P3 D, 2 pre-filter holders and 10 pre-filters, with hygiene box	

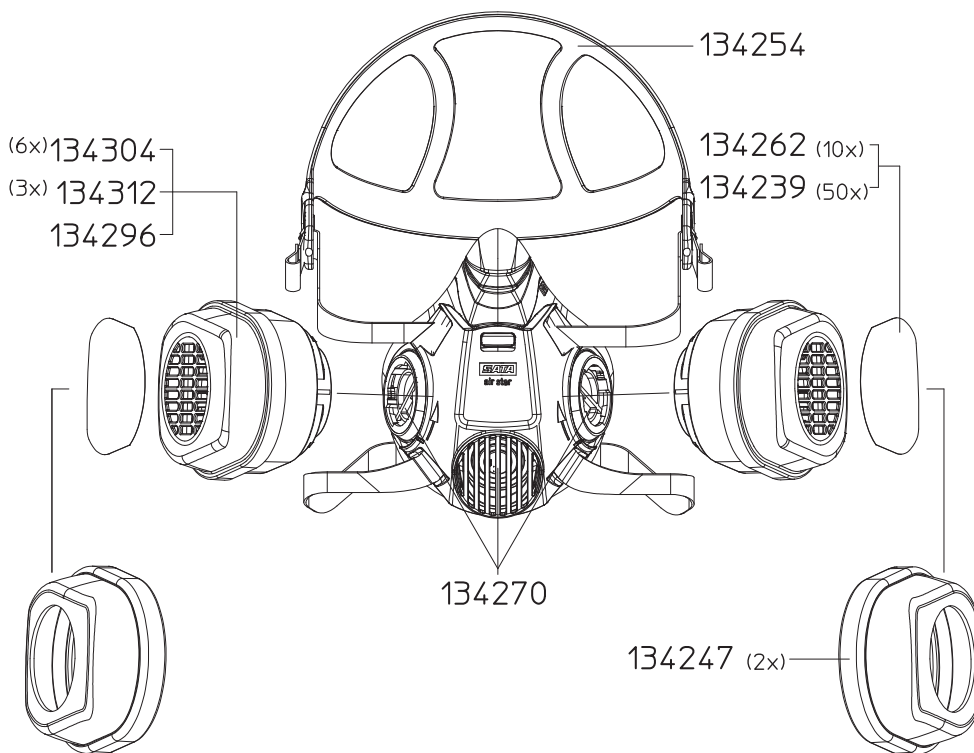
Accessories		
91553	Storage box for SATA air star F	
134965	SATA half mask cleaner (packing unit 10 pieces) Please observe: The supplied product has a limited use-by date!	
135020	SATA half mask cleaner (packing unit 50 pieces) Please observe: The supplied product has a limited use-by date!	

Spare parts for SATA air star F		
134262	Pre-filter (packing unit 10 pieces) for SATA air star F	
134239	Pre-filter (packing unit 50 pieces) for SATA air star F	
134296	Special filter A2:P3 R D (1 pair) for SATA air star F Please observe: The supplied product has a limited use-by date!	
134312	Special filter A2:P3 D (3 pairs) for SATA air star F Please observe: The supplied product has a limited use-by date!	
134304	Special filter A2:P3 R D (6 pairs) for SATA air star F Please observe: The supplied product has a limited use-by date!	
134247	Pre-filter holder, red (packing unit 2 pieces) and pre-filter (packing unit 10 pieces) for SATA air star F	

All prices are recommended list prices. Errors, technical modifications and printing errors reserved.

Spare Parts SATA® air star® F

Art. No./Descr.
134239 Pre-filter (packing unit 50 pieces)
134247 Pre-filter holder, red (packing unit 2 pieces) and pre-filter (packing unit 10 pieces)
134254 Head strap with fixing unit and yoke for SATA air star C
134262 Pre-filter (packing unit 10 pieces)
134270 Inhalation and exhalation diaphragms (packing unit 5 pieces or 10 pieces, resp.)
134296 Special filter A2:P3 R D (1 pair) Please observe: The supplied product has a limited use-by date!
134312 Special filter A2:P3 D (3 pairs) Please observe: The supplied product has a limited use-by date!
134304 Special filter A2:P3 R D (6 pairs) Please observe: The supplied product has a limited use-by date!



All prices are recommended list prices. Errors, technical modifications and printing errors reserved.